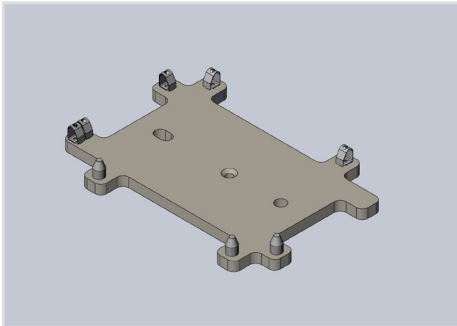


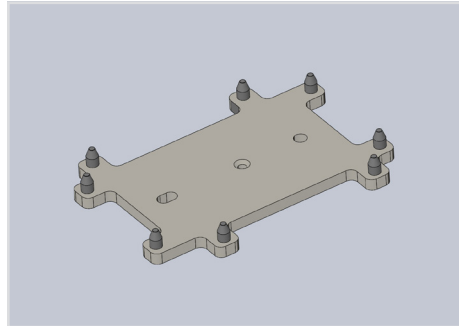
Interface Plates

Standard Interface Plates

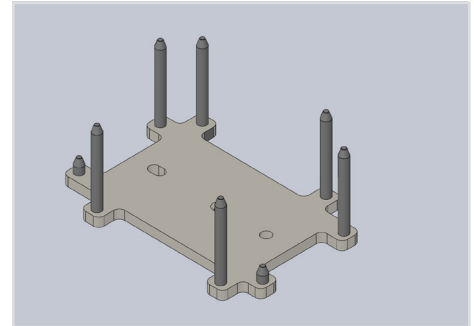
The Lynx instrument worktables are delivered with a combination of standard spring and pin interface plates. Spring interface plates firmly hold SBS labware into place and are best suited for tip boxes. The head gripper can effortlessly move pieces of labware to and from deck locations outfitted with pin interface plates. Tall pin interface plates allow the gripper to stack plates and other pieces of labware without the concern of tipping.



Part # **Interface Plate**
0200A19001 Spring Interface Plate



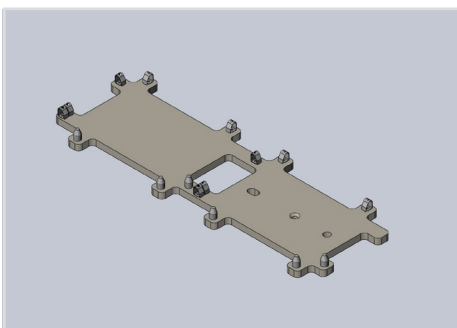
Part # **Interface Plate**
0200A19101 Pin Interface Plate



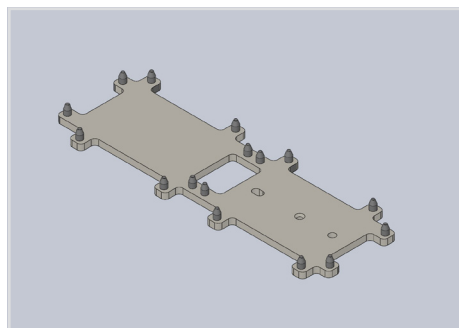
Part # **Interface Plate**
0200A19102 Tall Pin Interface Plate

Double Interface Plates

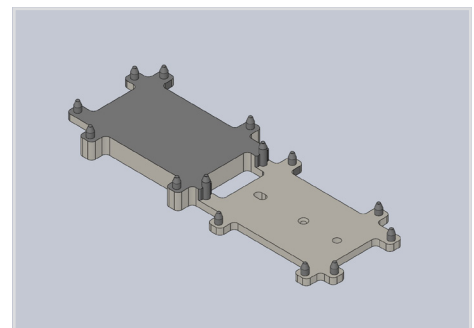
Double interface plates provide additional “gripper-only” deck locations. These locations are in addition to the standard locations on the deck. Spring, pin and stacking descriptions similar to the standard plates. Please note that the tiered double pin interface plate is only for the 700 instrument only.



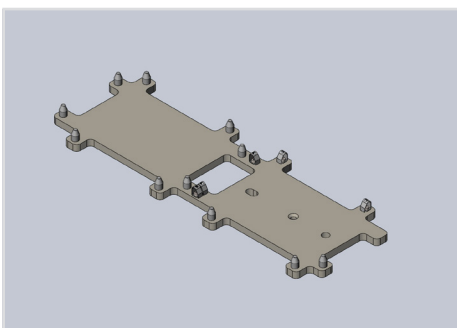
Part # **Interface Plate**
0200A19009 Double Spring Interface Plate



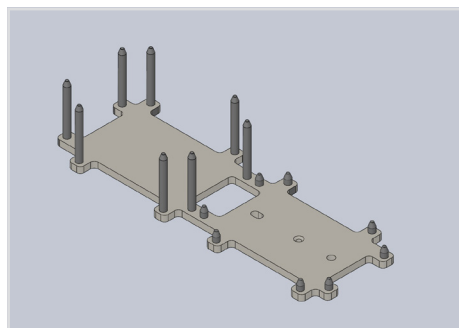
Part # **Interface Plate**
0200A19010 Double Pin Interface Plate



Part # **Interface Plate**
0200A19011 Tiered Double Pin Interface Plate (Lynx 700 only)



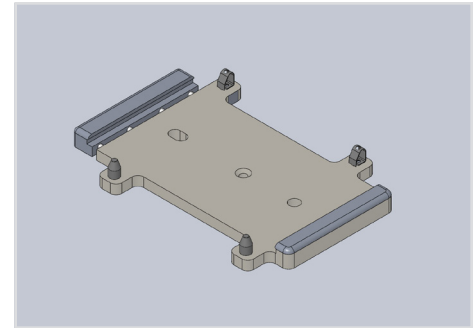
Part # **Interface Plate**
0200A19020 Double Interface Plate (Spring & Pin Assembly)



Part # **Interface Plate**
0200A19021 Double Pin Stacking Interface Plate

Locking Interface Plates

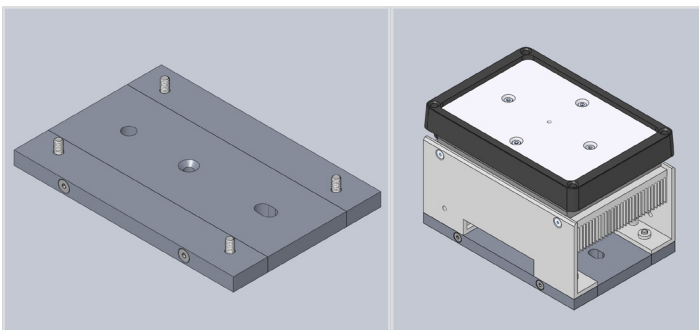
The locking interface plate is used to hold a piece of SBS labware into place using mechanisms that overlap the bottom skirt of the labware. This is a manual locking system, so the user manually locks labware into certain locations. Once locked in, the labware is immovable. This is best suited for tip boxes or any other labware that may have the chance to lift off the deck during the method.



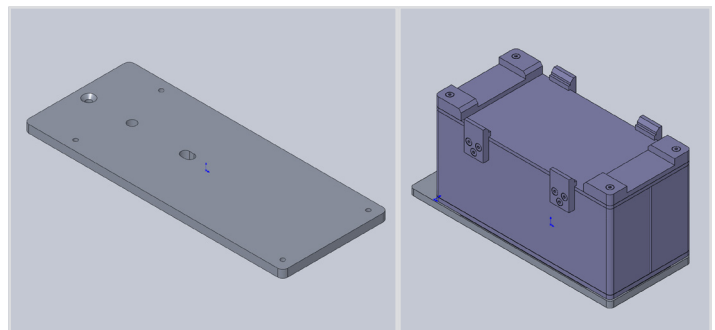
Part #	Interface Plate
0200A19007	Locking Interface Plate

Accessory Assembly Plates

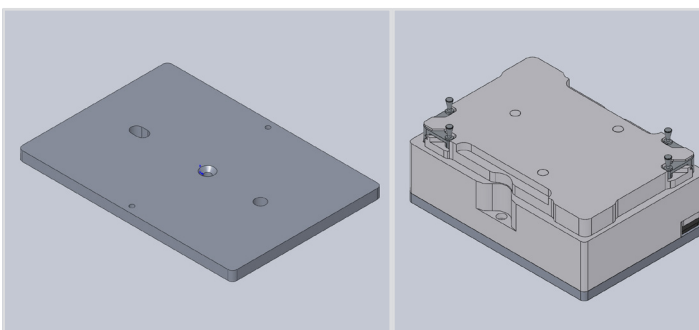
Accessory assembly plates are designed for the attachment of specific deck integrations. The CPAC device is a heating and cooling station. The Ziath device is a barcode reader that we commonly integrate to read matrix tubes and other tube types with barcodes on the bottoms of the tubes. The bioshake is a shaking platform. The combo interface plate contains four SBS locations that allow for additional z-axis clearance. This is used for taller tip types, such as the 5ml 24-well tips, and custom labware that may contain custom sample tubes, such as 15ml or 50ml conical tubes.



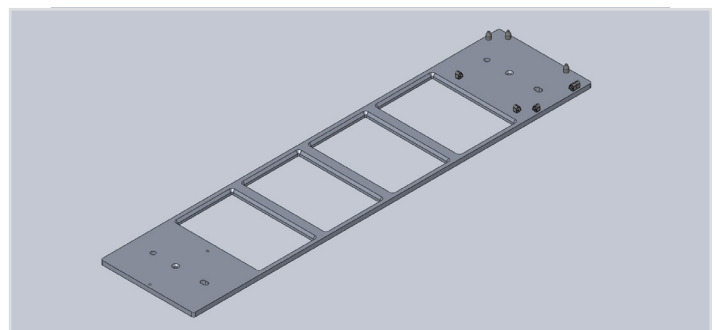
Part #	Interface Plate
0606A10007	CPAC Location Plate Assembly



Part #	Interface Plate
0606D10229	Ziath Locating Plate



Part #	Interface Plate
0606D10233	Bioshake Interface Plate



Part #	Interface Plate
0200A19901	Combo Interface Plate

